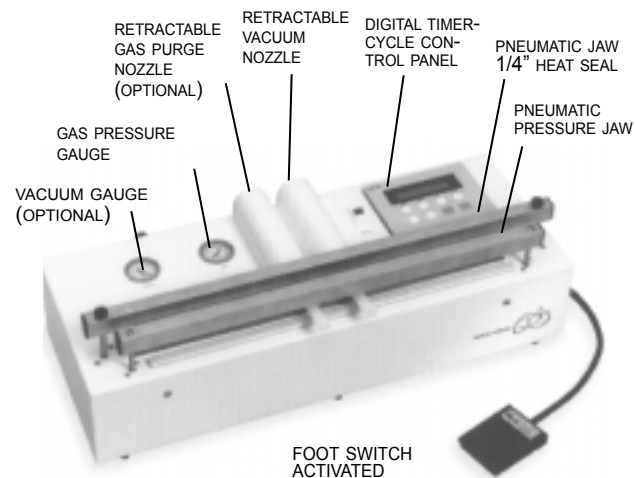


A vacuum sealer removes moisture laden air from the interior of moisture barrier bags, and heat seals the bags closed. This is part of the dry packaging process that protects surface mount devices from moisture. A vacuum sealer, a moisture barrier bag, desiccant, and humidity indicator card (HIC) are needed for dry packaging.

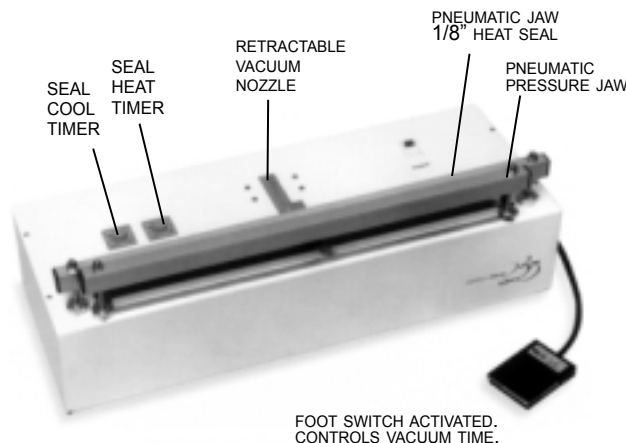
635VACUSEAL

The next generation of vacuum sealers is here. With auto retracting vacuum/gas nozzles, smart pad electronic control center, and a bag-saving jaw configuration, the 635 is state of the art. Just insert the bag over the nozzle, and press the foot switch to get consistent vacuum packaging. Standard unit features one retracting vacuum nozzle, on-board electronic user guide and help guide. The front jaw closes off the bag while the back jaw applies a 1/4" heat seal. This arrangement saves space in the bag by applying the seal closer to the bag opening. Optional equipment includes a second retractable nozzle for gas purging (pictured).



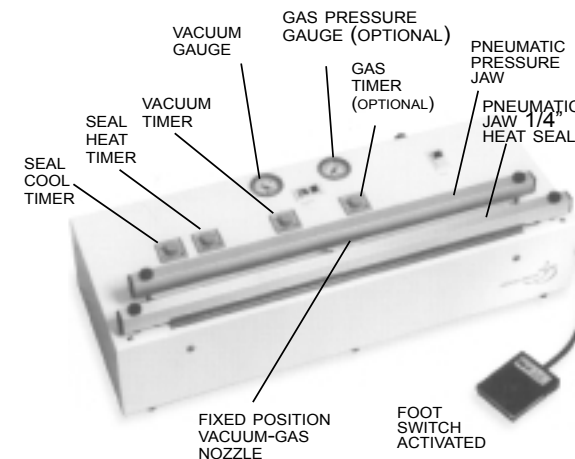
235VACUSEAL

Value priced vacuum sealing. The 235 provides the features required to dry pack bags. A retractable nozzle is used to improve bag evacuation and save bag space. The operator controls vacuum time by using the foot pedal. Timers are provided for heat sealing and cooling. By placing the heat seal jaw close to the top of the bag, the amount of bag used in the sealing process is reduced. Options include a 1/4" seal bar and a support tray.



35VACUSEAL

This time-tested vacuum sealer design has been sealing bags since 1990. A fixed position nozzle evacuates the bag. Timers for vacuum, sealing, and cooling are activated by a single foot pedal, and insure that the bag is evacuated and sealed. Gas Purge option and Support Tray are available.



Specifications	Seal Length	Seal Width	Vacuum Pressure	Max Suction	Air Consumption	Length	Width	Height	Electrical Power	Compressed Air	Vacuum Pump
635VACUSEAL	20, 25, 30	1/4	< 26	<1.4	2.4	Jaw + 5.5	9.5	8.5	120	90	None
235VACUSEAL	20	1/8	< 26	0.8	1.75	25.5	10	9	120	80	None
35VACUSEAL	20, 25, 30	1/4	< 26	<1.4	2.4	Jaw + 5.5	9.5	8.5	120	80	None
	inches	inches	in Hg	CFM	CFM	inches	inches	inches	VAC	PSI	

P R O D U C T D A T A S H E E T

Vacuum Sealers

PRODUCT
 VACUUM SEALERS FOR DRY PACKAGING

ITEM NUMBER
 SEE PAGE 3

DATASHEET
 1112-A



US and Canada: 866-722-3736
 Fax: 866-722-3735
 Intl: 919-774-3808
 Fax: 919-774-1287
 3010 Lee Avenue Sanford, NC 27330
 email: info@staticcontrol.com
 www.StaticControl.com

Selection Guide

Model	Digital Controls	Retractable Nozzle	Foot Pedal Operation
635VACUSEAL Full featured. Design reduces skill needed to achieve repeatable, secure vacuum sealed bags.	★	★	★
235VACUSEAL Cost Effective. Retractable nozzle for wrinkle free seals. Operator controls timing with foot pedal.		★	★
35VACUSEAL Time tested. Units in use for 10 years. Fixed nozzle design requires more operator skill to achieve wrinkle-free seals.			★

Vacuum Sealer Anatomy

A **Seal Jaw** compresses the bag against the heating element to seal the bag. The **Heat Seal Element** is a metal band that provides heat to seal the bag. **Heat Seal Element Width** can affect the quality of seals on thicker bag materials. Newer vacuum sealers use a **Jaw Arrangement** that places the pressure jaw in front of the seal jaw to reduce wrinkles in the seal that can lead to vacuum leaks. **Teflon cover tape** prevents the plastic bag from sticking to the jaws.

Gas Purge: An optional feature that purges (inflates) the bag with a dry gas (usually nitrogen) prior to bag evacuation. The dry gas drives away more moisture reducing initial bag interior humidity. The user must supply a nitrogen source. A manually set **Gas Purge Timer** determines the amount of time gas is supplied to the bag interior.

Nozzle

Retractable A steel tube that withdraws from the bag after evacuating or purging the bag. A retractable nozzle extends further into the bag for better bag evacuation with less bag manipulation.

Fixed: A tube that stays in one position for evacuating or purging the bag. While fixed nozzles are less costly and have fewer moving parts, they sometimes create the need for more bag manipulation to avoid bag collapse around the nozzle.



Support tray: A metal shelf attached to the front of the vacuum sealer that supports and positions the bag.

Pressure Jaw: A bar that closes the bag around the nozzle.

Features Comparison

Features	635	235	35
Venturi Vacuum Pump	●	●	●
Isolated air exhaust port	●	n/a	●
Clean room compatible	●	n/a	●
Digital timer/cycle control	●	n/a	n/a
Heat timer	(digital)	●	●
Cool timer	(digital)	●	●
Gas purge timer	optional	n/a	optional
Heat on closed jaw safety	●	n/a	n/a
Retractable vacuum nozzle	●	●	n/a
Retractable gas nozzle	optional	n/a	n/a
Fixed vacuum/gas nozzle	n/a	n/a	●
Vacuum Gauge	●	n/a	●
Gas Pressure Gauge	optional	n/a	optional
Support Tray	●	optional	optional
1/4" seal bar	●	optional	●
1/8" seal bar	n/a	●	n/a
Use	Heavy	Light	Medium

A clean, dry, oil-free **Compressed Air** supply is required, and drives the venturi vacuum pump, the seal jaw, and the pressure jaw. A **Venturi vacuum pump** creates vacuum using compressed air instead of a traditional vacuum pump and requires no maintenance. The **Isolated exhaust port** allows the used compressed air to be piped outside the work area for **Clean room compatibility**.

A manually set **Heat Timer** determines the amount of time the heat sealing element stays hot. A manually set **Cool Timer** determines the amount of time the sealing jaws stay closed after the element is turned off. A manually set **Vacuum Timer** determines the amount of time vacuum is applied to the bag interior. **Digital timer/cycle** panel controls gas purge, vacuum, and sealing (heat and cool) times, and can run multiple purge/vacuum cycles.

Vacuum Sealers

PRODUCT
 VACUUM SEALERS FOR DRY PACKAGING

ITEM NUMBER
 SEE PAGE 3

DATASHEET
 1112-A



US and Canada: 866-722-3736
 Fax: 866-722-3735
 Intl: 919-774-3808
 Fax: 919-774-1287
 3010 Lee Avenue Sanford, NC 27330
 email: info@staticcontrol.com
 www.**StaticControl.com** ©

Part Numbers

635VACUSEAL

ITEM NUMBER	DESCRIPTION
635VACUSEAL20	635 Vacuum Sealer 20"
635VACUSEAL25	635 Vacuum Sealer 25"
635VACUSEAL30	35 Vacuum Sealer 30"
G635VACUSEAL20	635 Vacuum Sealer 20" w/gas option
G635VACUSEAL25	635 Vacuum Sealer 25" w/gas option
G635VACUSEAL30	635 Vacuum Sealer 30" w/gas option

235VACUSEAL

ITEM NUMBER	DESCRIPTION
235VACUSEAL	235 Vacuum Sealer 20"
235VACUSEAL-1/4	235 Vacuum Sealer 20" with 1/4" seal bar
SUPPORTTRAY20	Support Tray 20"

35VACUSEAL

ITEM NUMBER	DESCRIPTION
35VACUSEAL20	35 Vacuum Sealer 20"
35VACUSEAL25	35 Vacuum Sealer 25"
35VACUSEAL30	35 Vacuum Sealer 30"
G35VACUSEAL20	35 Vacuum Sealer 20" w/gas option
G35VACUSEAL25	35 Vacuum Sealer 25" w/gas option
G35VACUSEAL30	35 Vacuum Sealer 30" w/gas option
SUPPORTTRAY20	Support Tray 20"
SUPPORTTRAY25	Support Tray 25"
SUPPORTTRAY30	Support Tray 30"

Replacement Parts

ITEM NUMBER	DESCRIPTION	PURPOSE
VACELEMENT1/8	Heat seal element, 1/8" for Model 235	Replacement element.
VACELEMENT20	Heat seal element, 1/4" for 20"	
VACELEMENT25	Heat seal element, 1/4" for 25"	
VACELEMENT30	Heat seal element, 1/4" for 30"	
VACTAPE20	Teflon cover for 20"	Replacement tape to cover element and bar.
VACTAPE25	Teflon cover for 25"	
VACTAPE30	Teflon cover for 30"	
VACUKIT20	20" SEAL JAW SERVICE KIT	Includes commonly replaced parts: 1 element, 1 teflon cover set, 1 element pad assemble, 1 pressure bar insert, finger nuts. Include Model and Serial numbers when ordering.
VACUKIT25	25" SEAL JAW SERVICE KIT	
VACUKIT30	30" SEAL JAW SERVICE KIT	
VACBARTAPE20	Pressure bar teflon for 20"	Replacement tape to cover pressure bars.
VACBARTAPE25	Pressure bar teflon for 25"	
VACBARTAPE30	Pressure bar teflon for 30"	
VACPADASBLY20	Element Pad Assembly 20"	Replacement pad. Include Model and Serial numbers when ordering
VACPADASBLY25	Element Pad Assembly 25"	
VACPADASBLY30	Element Pad Assembly 30"	
VACUBAR20	Pressure bar insert for 20"	Replacement insert. Include Model and Serial numbers when ordering.
VACUBAR25	Pressure bar insert for 25"	
VACUBAR30	Pressure bar insert for 30"	

Ownership Information

Warranty

Models 635 and 35 are warranted against electrical or mechanical defects, excluding elements and Teflon tape for two years. This warranty is void if a machine is damaged through improper use or unauthorized repairs. Model 235 is warranted against electrical or mechanical defects, excluding elements and Teflon tape for one year. This warranty is void if a machine is damaged through improper use or unauthorized repairs.

Support

Telephone support is available. On site support is not available. These vacuum sealers are designed to provide simple operation and years of service with a minimum of user-supplied maintenance of the heat seal element and Teflon tape.

Returns

Vacuum sealers cannot be returned unless a manufacturing defect is verified by SCC. An RMA number must be obtained prior to any return.



Page 3 of 3

Page 1. Vacuum Sealers and specifications.
Page 2. Selection Guide & Sealer Anatomy.
Page 3. Part Numbers, Parts, Warranty.

P R O D U C T D A T A S H E E T

Vacuum Sealers

PRODUCT
VACUUM SEALERS FOR DRY PACKAGING

ITEM NUMBER
SEE PAGE 3

DATASHEET
1112-A



US and Canada: 866-722-3736
Fax: 866-722-3735
Intl: 919-774-3808
Fax: 919-774-1287
3010 Lee Avenue Sanford, NC 27330
email: info@staticcontrol.com
www.**StaticControl**.com ©